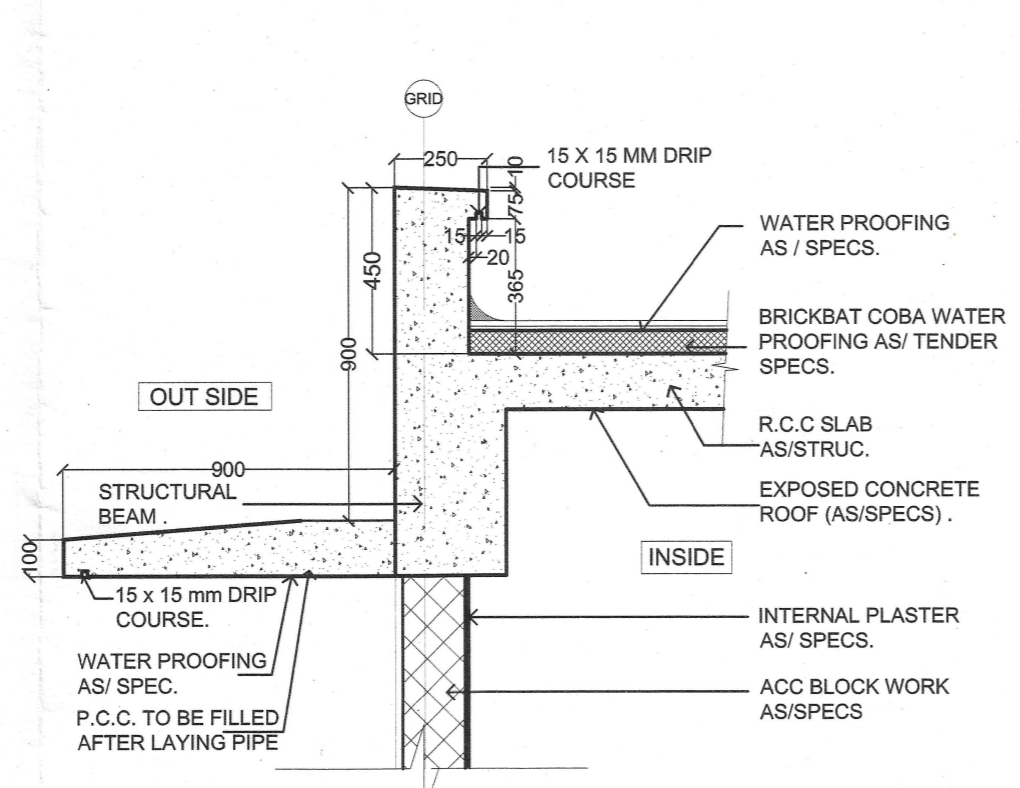
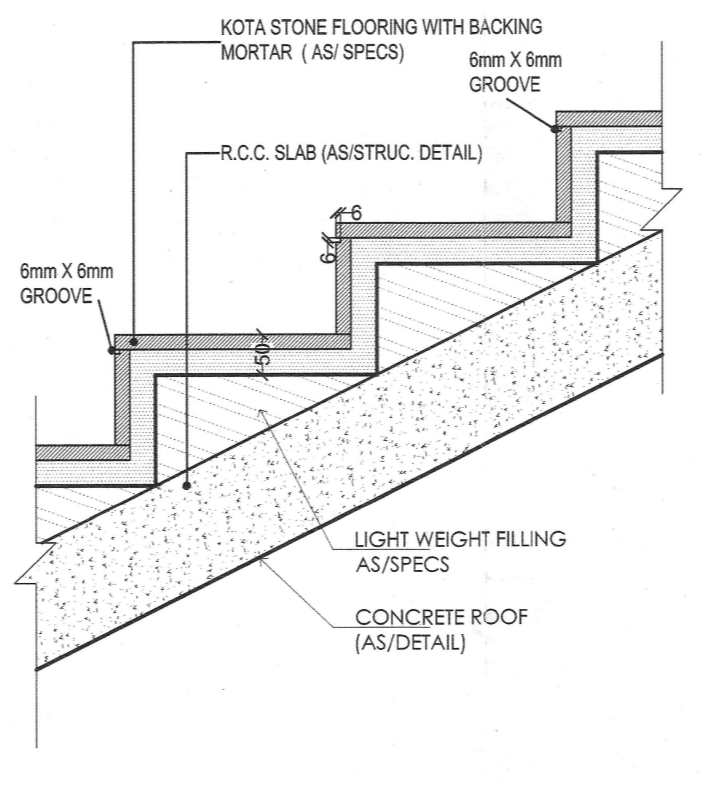


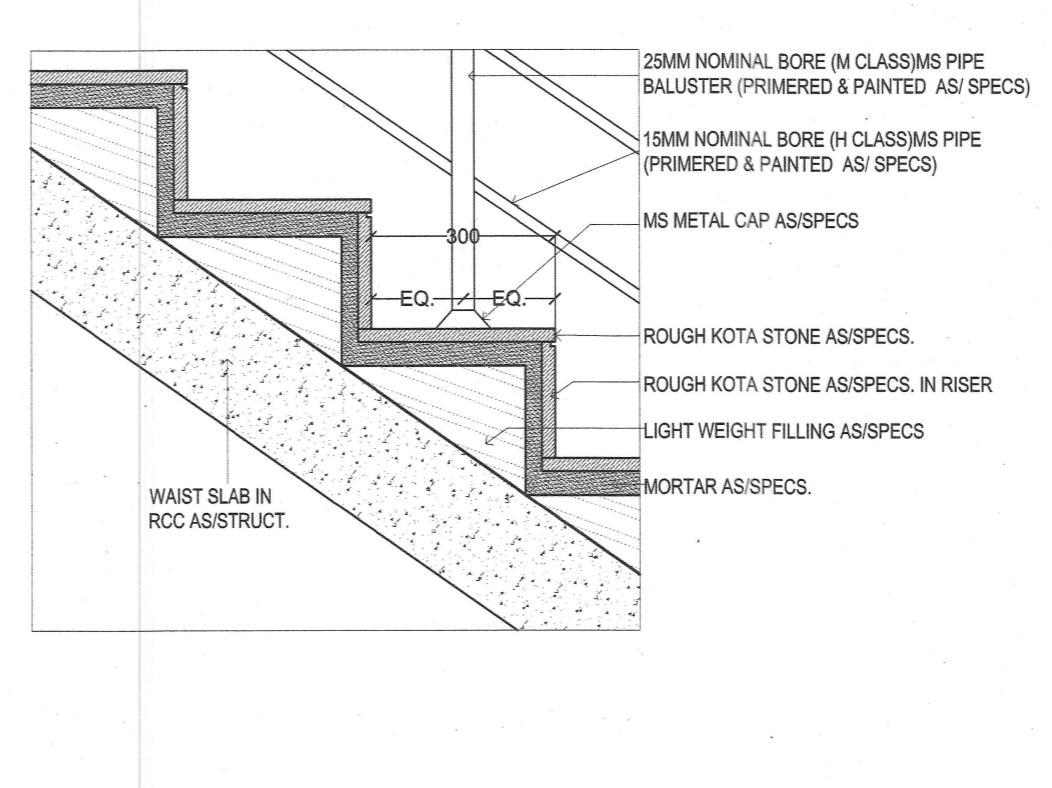
18 TYPICAL CANOPY DETAIL FROM PIPE LOCATION (DETAIL 'A')  
SCALE-1:20



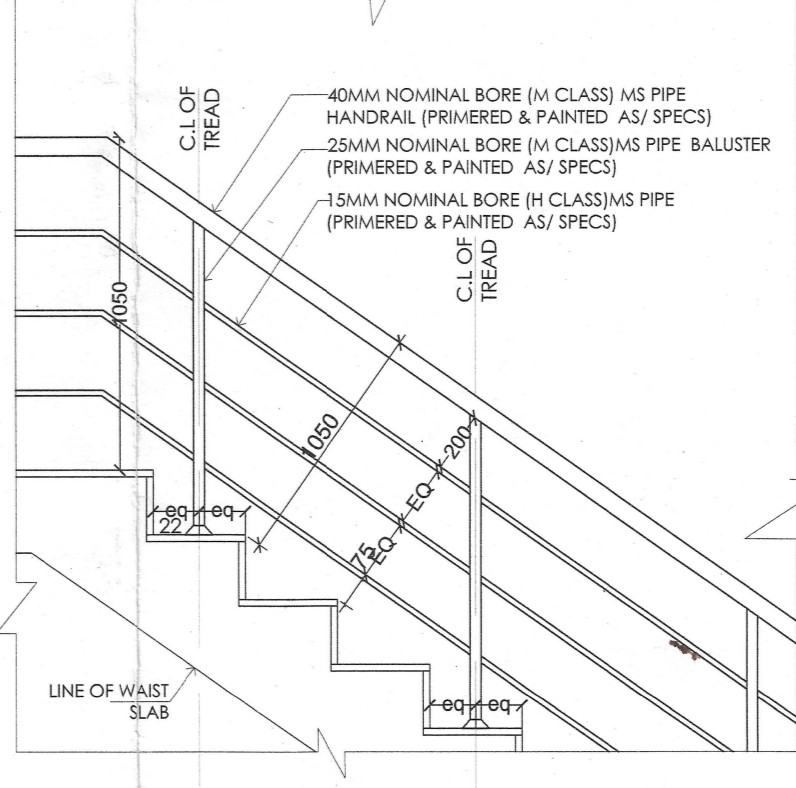
19 TYPICAL CANOPY DETAIL FROM PIPE LOCATION (SECTION-PP)  
SCALE-1:20



20 TYPICAL STEP DETAIL  
SCALE-1:10



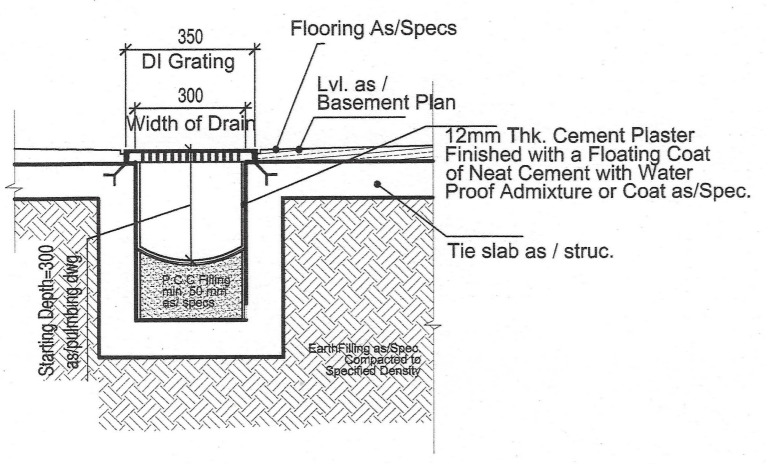
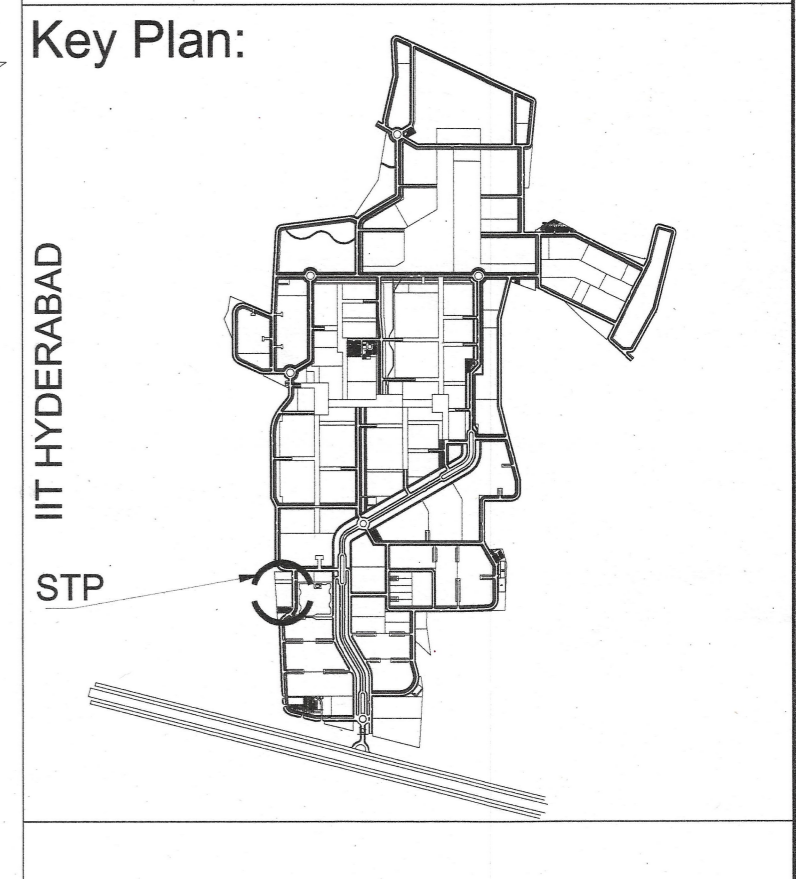
21 TYPICAL DETAIL OF HANDRAIL  
SCALE-1:10



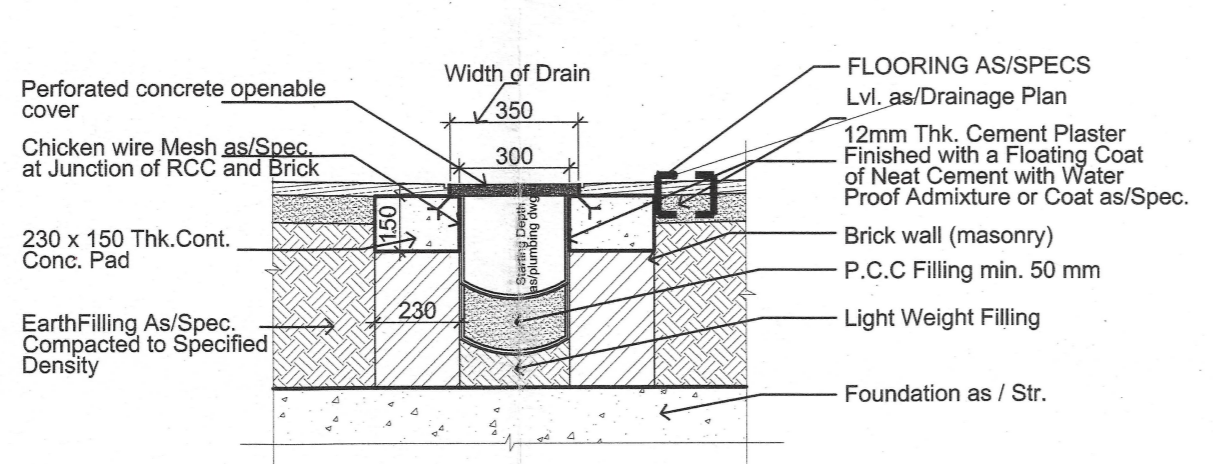
22 TYPICAL RAILING DETAIL  
SCALE-1:20

**NOTES**

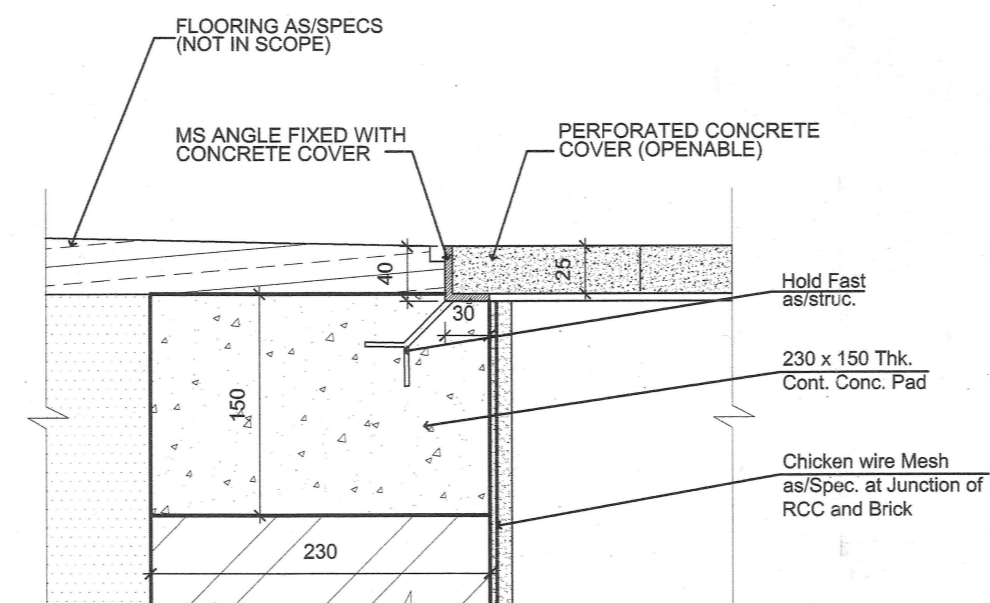
- ALL M.S. ELEMENTS SHALL BE FINISHED WITH ZINC CHROMATE PRIMER & 2 COATS OF SYNTHETIC ENAMEL PAINT OF LOW V.O.C.
- ALL R.C.C. MEMBERS COMING IN CONTACT WITH SEWAGE SHALL BE COATED WITH 2 COATS OF EPOXY COATING.
- FOR VENTILATION - SUFFICIENT NOS. OF CEILING & EXHAUST FANS TO BE PROVIDED.
- FOOT REST TO BE PROVIDED INSIDE TANK FOR MAINTENANCE PURPOSES (AS/SPECS.)
- HARDWARE FOR DOORS & WINDOWS TO BE AS/SPECIFICATIONS.
- INTERNAL FINISH-  
(a) FOR THE TANKS MEANT FOR SEWAGE COLLECTION = COAL TAR EPOXY.  
(b) FOR THE TANKS MEANT FOR CLEAR WATER COLLECTION = CERAMIC TILES.



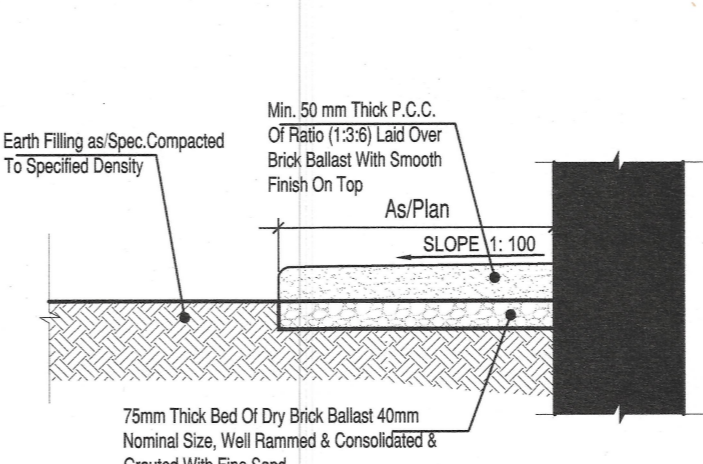
23 TYPICAL DRAIN DETAIL IN BASEMENT  
SCALE-1:20



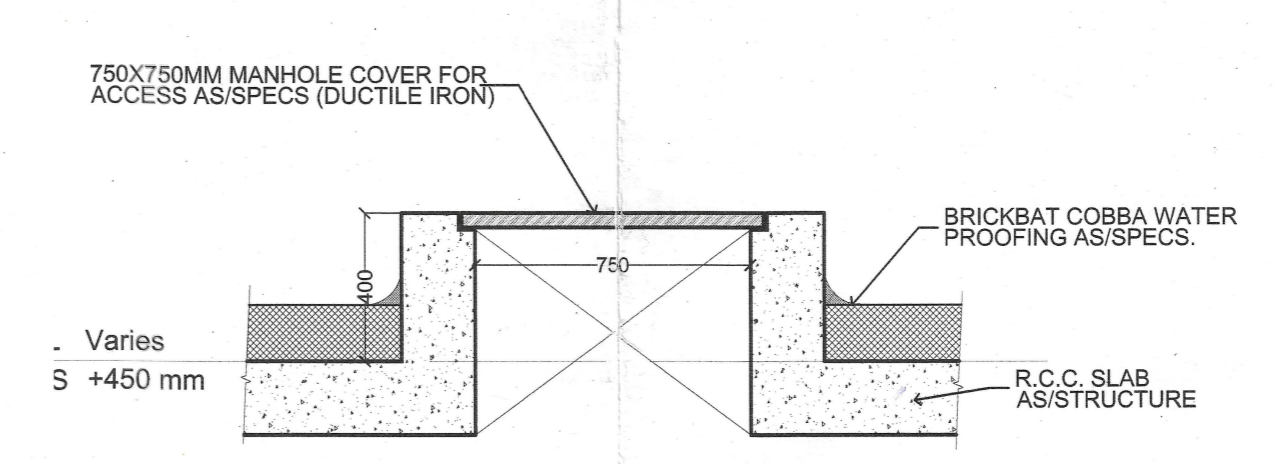
24 TYPICAL SURFACE R.C.C. DRAIN  
SCALE-1:20



25 CONCRETE COVER DETAIL '1'  
SCALE-1:5



26 PLINTH PROTECTION DETAIL-B  
SCALE-1:20

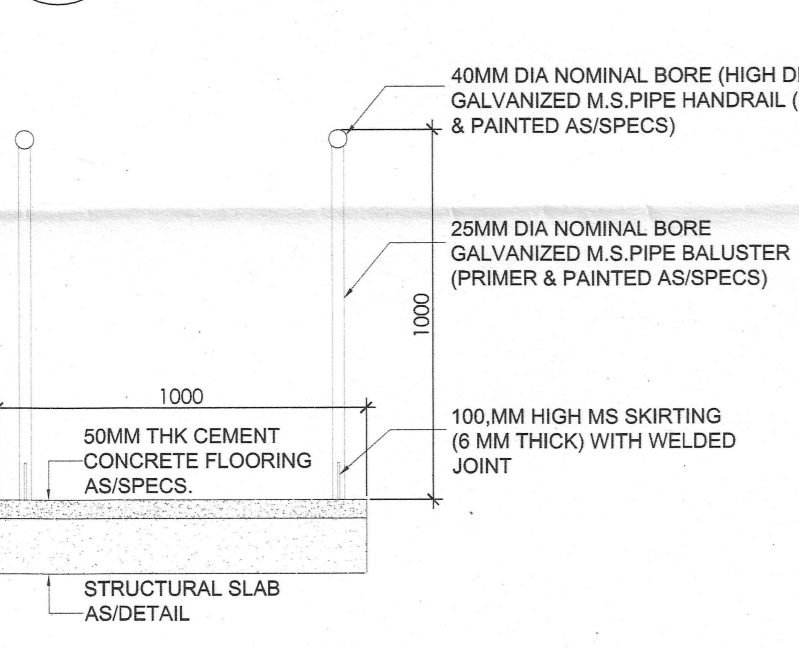


27 MANHOLE COVER DETAIL  
SCALE-1:20

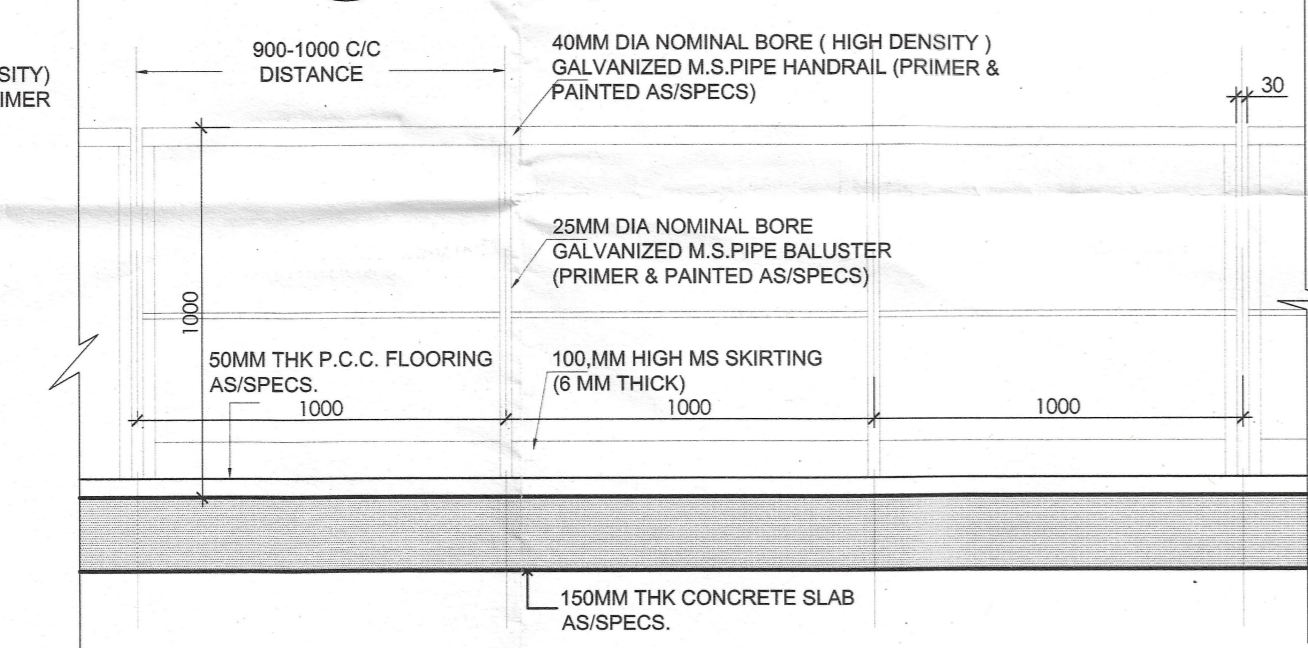
**ISSUES**

S. NO.	DATE	BY	TO	PURPOSE
1.	19-04-2017	ARCOP	SITE	GFC
2.	3-08-2018	ARCOP	SITE	GFC(R1)

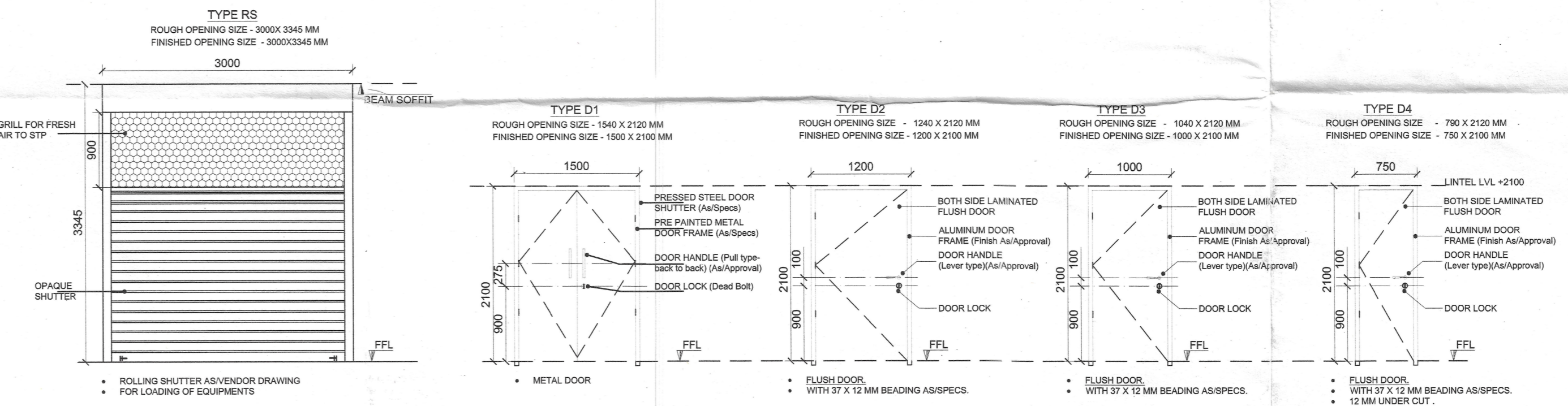
**REVISIONS**



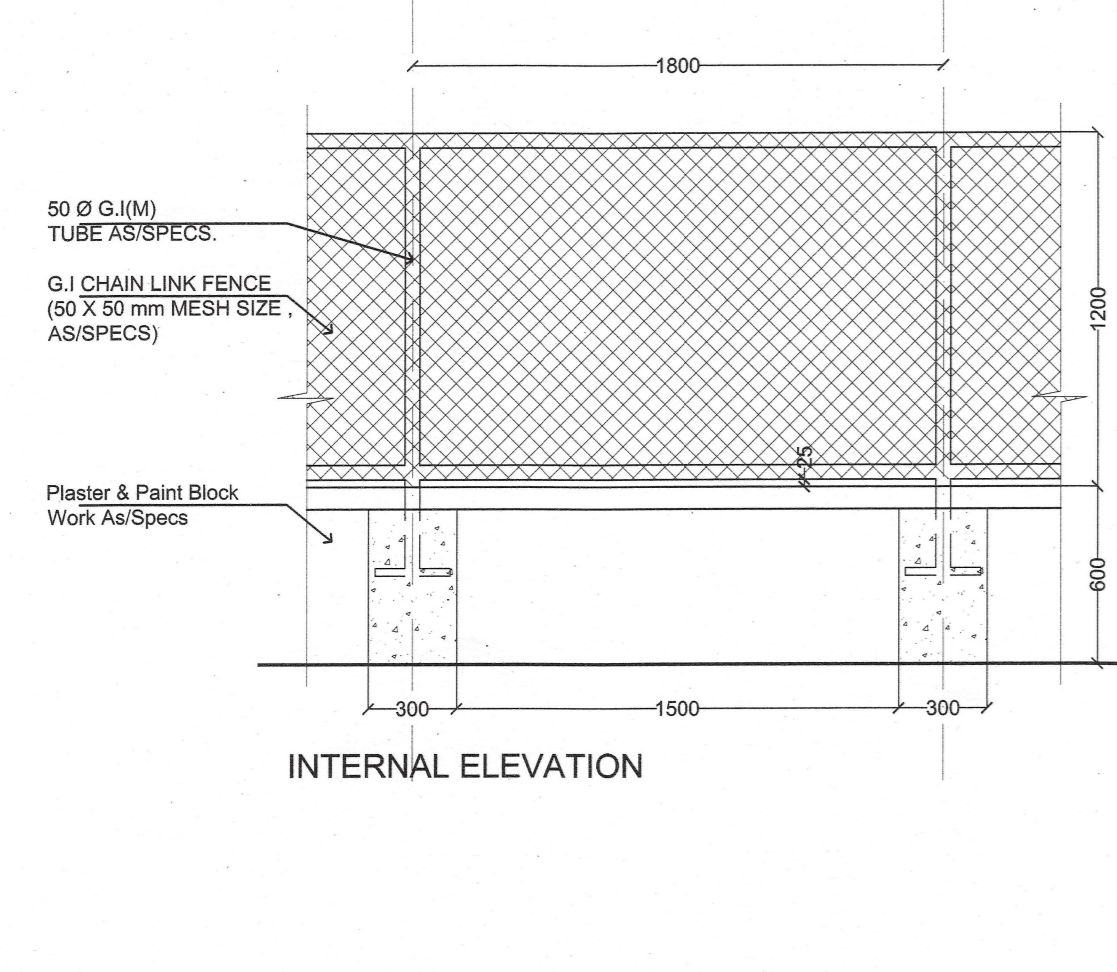
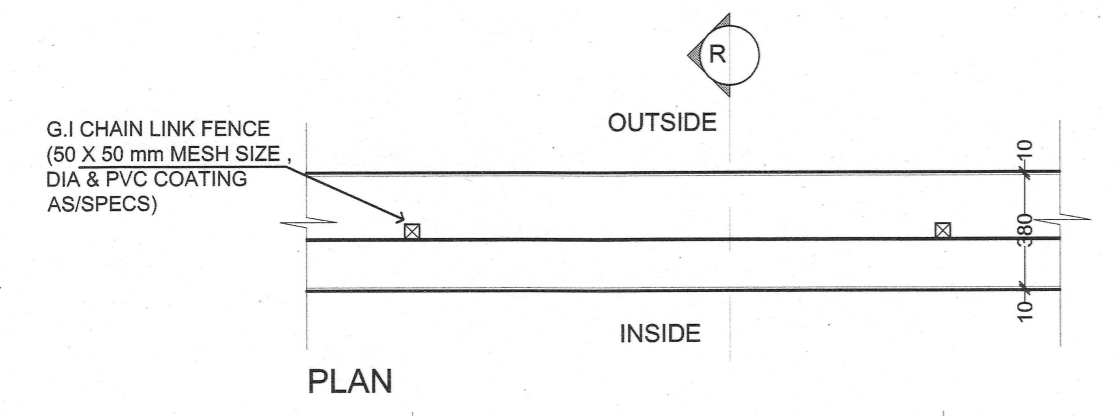
28 TYPICAL WALKWAY DETAIL  
SCALE-1:20



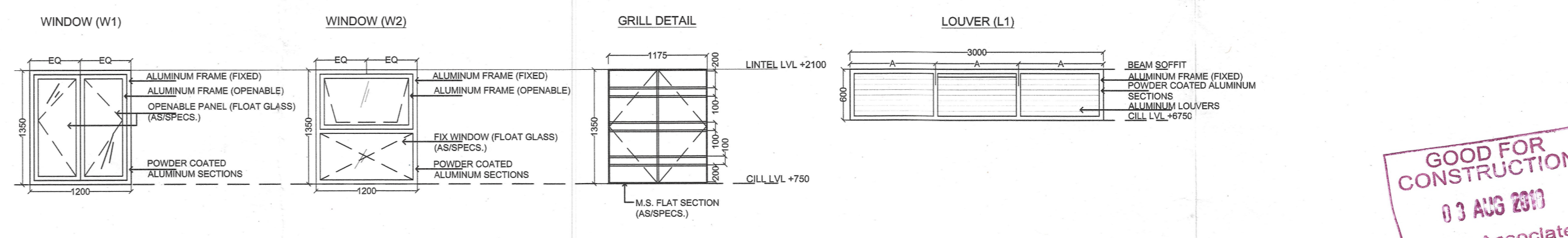
24 TYPICAL SURFACE R.C.C. DRAIN  
SCALE-1:20



30 DOOR & WINDOW DETAILS  
SCALE-1:50



29 TYPICAL DETAIL OF CHAIN LINK FENCE  
SCALE-1:25



31 ELEVATION - A  
SCALE-1:150

**CLIENTS**  
Indian Institute of Technology(IIT) Hyderabad,  
Ordnance Factory Estate,  
Yeddumailaram-502205,  
Andhra Pradesh, INDIA

**ARCHITECTS & PLANNERS**  
ARCOP ASSOCIATES PVT. LTD.  
E-106, G.K. ENCLAVE PART 1  
NEW DELHI 110048  
PHONE : 011 - 26242050  
FAX : 011 - 26242035

Architect's Signature \_\_\_\_\_  
Client's Signature \_\_\_\_\_  
= 8 AUG 2018

Job Title  
**IITH EXTERNAL SERVICES BUILDINGS**

Drawing Title  
**MBR BASED SEWER TREATMENT PLANT-2**

Document Release Type  
**GOOD FOR CONSTRUCTION**

Job No.	2012/09	N
Scale	AS SPEC.	
Date	APRIL.19.2017	Drawing No.
Drawn by	VARALIKA	STP2-AR-04
Checked by	PANKAJ	Revision No.
AUTHORITY:		R1

**GOOD FOR CONSTRUCTION**  
03 AUG 2017  
Arcop Associates Private Limited